

INTELLIGENT WALL SOUNDER VAD

ALWS-MOD + CWS100-AV (W)

The Intelligent Wall Sounder VAD combines the Intelligent Wall Sounder Module with the Conventional Wall Sounder VAD (each sold separately). The Intelligent Wall Sounder VAD is a EN 54-3 (Type B) and EN 54-23 compliant visual/alarm device, equipped with 3 levels of volume adjustment, high output LED beacon, and 32 recognised tone which can be set via the control equipment or locally at the sounder.

Orama group



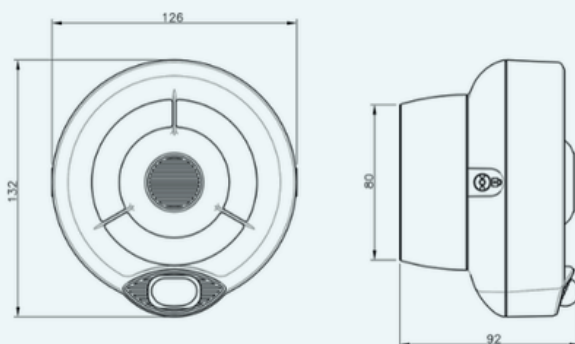
KEY FEATURES

- 32 tones settings (primary and secondary for alert and evacuation),selectable via onboard dip switches
- On site adjustable volume settings
- Silent sounders setting for beacon only use
- Also available in white
- 3rd party approval to EN 54-3 (type B) and EN 54-23
- 5 year product warranty

TECHNICAL SPECIFICATION

Power supply voltage range	15Vdc – 40Vdc
Activated current load (High Vol.)	11-25 mA @ 24 Vdc
Acoustic Frequency range	400-2900 Hz
Maximum acoustic Output	100 dB(A) ± 3
Visual Alarm Device (VAD) colour	White
Visual Alarm Device (VAD) frequency	0.5 Hz
VAD flash coverage	W-2.5-7 (EN 54-23)
IP rating	33C
Max humidity (non condensing)	85% RH
Operating Temperature	-10°C to +55°C
Weight	320 g
Dimensions (mm)	132 x 126 x 92

TECHNICAL INFORMATION



STANDARDS & APPROVALS

- EN 54-3: Fire alarm devices - Sounders
- EN 54-17: Short-circuit isolators
- EN 54-18: Input/output devices
- EN 54-23: Fire alarm devices - Visual alarm devices



DATASHEET

INTELLIGENT WALL SOUNDER VAD

ALWS-MOD + CWS100-AV (W)

Orama group

RELATED PRODUCT

The Intelligent Wall Sounder Module (ALWS-MOD) is designed for use with the Argus range of modular wall sounders and beacons.

