

INTELLIGENT WALL SOUNDER

ALWS-MOD + CWS100

The Intelligent Wall Sounder combines the Intelligent Wall Sounder Module with the Conventional Wall Sounder (each sold separately). The Wall Sounder is a EN 54-3 (Type B) compliant acoustic device, equipped with 3 levels of volume adjustment and 32 recognised tones which can be set locally at the sounder.



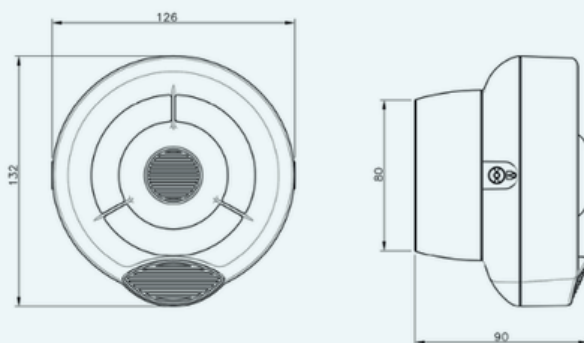
KEY FEATURES

- 32 tones settings (primary and secondary for alert and evacuation), selectable via onboard dip switches
- High sound output capability
- On site adjustable volume settings
- Also available in white
- 3rd party approval to EN 54-3 (type B)
- 5 year product warranty
- Robust and highly reliable

TECHNICAL SPECIFICATION

Power supply voltage range	15Vdc – 40Vdc
Activated current load (High Vol.)	5–8 mA @ 24 Vdc
Acoustic Frequency range	400–2900 Hz
Maximum acoustic Output	100 dB(A) @ 1m
IP rating	33C
Max humidity (non condensing)	85% RH
Operating Temperature	-10°C to +55°C
Weight	290 g
Dimensions (mm)	132 x 126 x 90

TECHNICAL INFORMATION



STANDARDS & APPROVALS

- EN 54-3: Fire alarm devices - Sounders
- EN 54-17: Short-circuit isolators
- EN 54-18: Input/output devices



DATASHEET

INTELLIGENT WALL SOUNDER

ALWS-MOD + CWS100

RELATED PRODUCT

The Intelligent Wall Sounder Module (ALWS-MOD) is designed for use with the Argus range of modular wall sounders and beacons.

