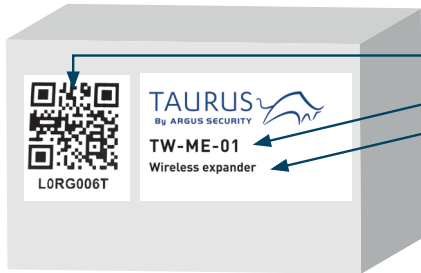


QUICK START GUIDE



THE BOX

- QR code
- Part number
- Product name

INSIDE THE BOX

- 1 x Expander Module
- 4 x Screws
- 1 x Product Manual
- 1 x Quick start guide
- 1 x QR code

MOUNTING STEPS

The Expander Module is IP65 rated, suitable for external mounting. The back box must be installed on the wall as flat as possible to retain IP rating, to prevent distortion of the housing and the ingress of contamination and/or moisture.

Proceed as follows to complete the device installation.



IMPORTANT TO CONSIDER

When mounting a wireless device a comprehensive radio survey should have been carried out to establish the location that provides the best coverage and optimum reach. Taking into consideration the building structure and materials, the survey identifies the wireless infrastructure required and product locations for optimum performance, identifying any factor that could prevent radio integrity.

Avoid fixing or mounting the unit close to the following:

- Equipment that utilises large electrical currents
- Large metal objects or structures
- Fluorescent lighting fittings
- Metal ceiling structures
- IT cabling.

Keep 2 meters minimum spacing between other wireless equipment in the area to avoid signal interference.

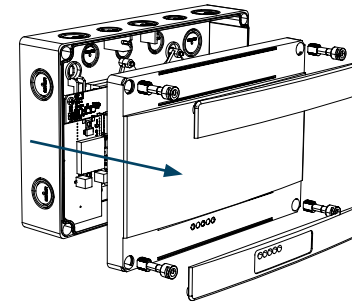


EN54 approved environmental temperature range is -10°C to +55°C

UNBOXING

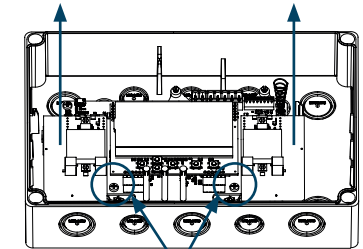
- The Expander has removable top and bottom front plastics to cover screw housings.
- The Expander is housed in an IP65 rated box with knockouts for IP rated glands.
- 4 plastic screws are provided to secure the lid.

For more information, please refer to the complete product manual.



1

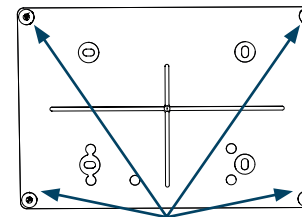
Remove top and bottom front plastics that cover screws, unscrew all four screws and remove the lid from the back box.



2

SCREWS

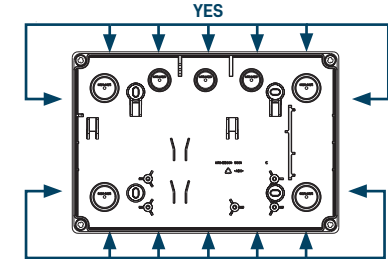
Remove the electronic PCB assembly from the enclosure. The PCB is held by two Philips screws below the display, it then slides up and out.



3

MOUNTING HOLES

Using a suitable-sized drill bit (4mm) drill the pre-defined screw mounting points in the 4 corners of the backbox.

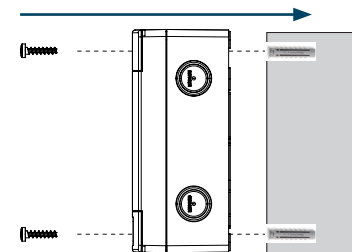


4

YES

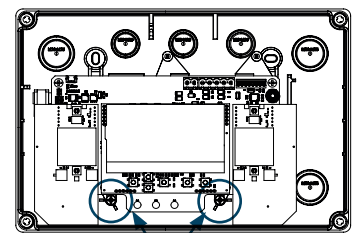
NO

Prepare apertures (20mm knockouts) required for cable access and fit appropriate rated glands.



5

Screw the back box to the wall using all fixing holes and appropriate-sized roundhead screws (do not use countersunk screws).

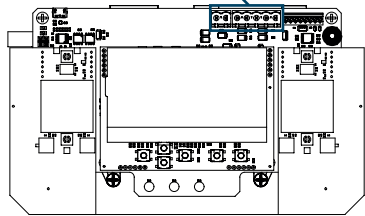
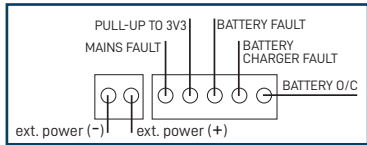


6

SCREWS HOLES

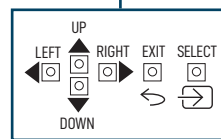
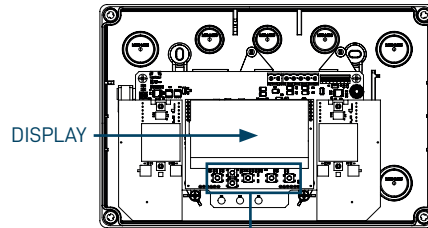
Insert cable, tighten glands and refit PCB and securing screws.

7



- Connect a wired EN54-4 compliant PSU to the appropriate two terminals.
- There are also terminals for Fault Monitoring using a feed.
- You can now apply power to the EN54-4 compliant PSU.

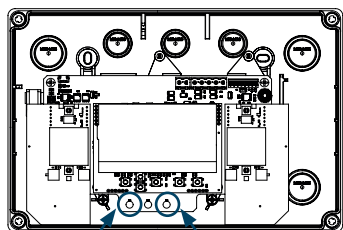
8



To benefit from the remote commissioning mode, ensure you leave the Expander in "discovery" mode. Using the keypad and the display system:

- Press "select" button.
- Insert level 1 password (default 0001), using the arrow buttons and confirming with "select" button.
- Select "Expander Config" using the arrow buttons and press "select" button.
- Select "Set Discovery Mode" using the arrow buttons and press "select" button.
- Insert level 2 password (default 0002) using the arrow buttons and confirm with "select" button.
- Select discovery channel A (or B or C depending on survey results) using the arrow buttons and confirm with "select" button.
- Press "select" button to start "discovery" mode as shown on the screen.
- Press "select" button again to confirm.

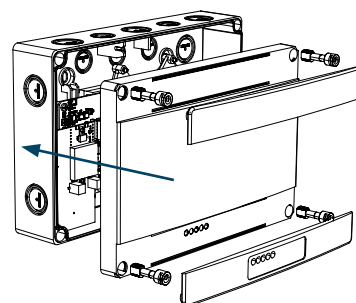
9



GREEN LED YELLOW LED

Ensure the LED indicates that the discovery mode is enabled, alternating green and yellow colors.

10



- Screw the lid to the back box using the supplied plastic screws and refit top and bottom front plastics that cover screw housings.
- Put the QR code available in the box either on the system map or on the dedicated pages at the end of expander manual.